



RIO™ M Specifications

The RIO M Series produces Mixed Oxidant Solution (MOS) chemistry for water disinfection and is systematically optimized for ease of use, reliability, and performance. The RIO is modular which means MOS disinfection chemistry output can be easily expanded 5X without increasing the footprint – just add more cells to the cabinet! Leading the industry in salt and energy conversion, the RIO can ensure the lowest life-cycle cost for your facility.

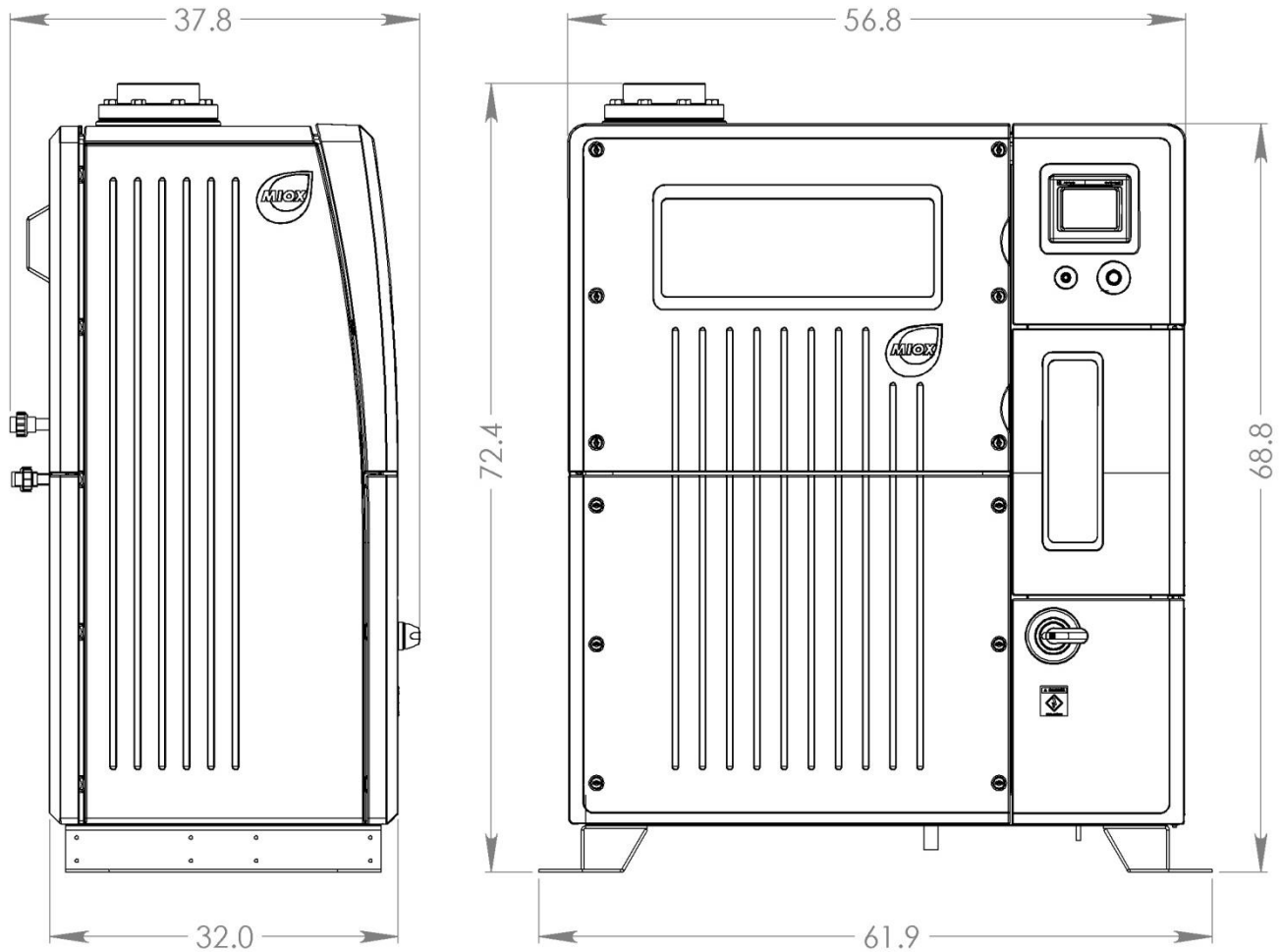
	RIO M1	RIO M2	RIO M3	RIO M4	RIO M5
Rated FAC Capacity	60 lbs/day 27 kg/day	120 lbs/day 54 kg/day	180 lbs/day 82 kg/day	240 lbs/day 109 kg/day	300 lbs/day 136 kg/day
Water Treatment Capacity (at 1 ppm FAC)	7.2 MGD 27,255 m ³ /day	14.4 MGD 54,510 m ³ /day	21.6 MGD 81,765 m ³ /day	28.8 MGD 109,020 m ³ /day	36 MGD 136,275 m ³ /day
Salt Conversion (SCE)*	2.5 lb salt/lb FAC 2.5 kg salt/kg FAC				
Energy Conversion (ECE)*	3.5 kW-hr/lb FAC 7.7 kW-hr/kg FAC				
FAC Concentration*	4,500 mg/L (+/- 1,000)				
Flow Rate	75 gph 284 lph	150 gph 568 lph	225 gph 852 lph	300 gph 1136 lph	375 gph 1420 lph
Electrical Service Requirement (OSG Only)	480 VAC, 3 ph, 100A, 50/60 hertz				
Nominal Energy to Unit	13 A 11 KVA	26 A 22 KVA	39 A 33 KVA	52 A 44 KVA	65 A 55 KVA
Air Temp. Required	45° to 115°F 7° to 46°C				45° to 105°F 7° to 40°C
External Vent Makeup Air	350 cfm 10 cmm				
Internal Vent Energy Added	2.8 kW	5.6 kW	8.4 kW	11.2 kW	14 kW
Recommended Feed Water Temperature*	50° to 80° F 10° to 26.7° C				
Allowable Feed Water Temperature*	40° to 95° F 5° to 35° C				
Feed Water Pressure	60 to 100 psi 414 to 689 kPa				
Approximate Dimensions (WxDxH)	61.9 x 37.8 x 68.8 inches 157.23 x 96.01 x 174.75 cm				

*Performance may vary depending on salt quality, water quality, and water temperature.

Note: This electronic document is controlled. Once this document is printed it becomes uncontrolled and obsolete. Refer only to electronic document for the latest information.



RIO Drawing



REFERENCE GENERAL ARRANGEMENT DRAWING 112-00023
FOR INSTALLATION REQUIREMENTS

Note: This electronic document is controlled. Once this document is printed it becomes uncontrolled and obsolete. Refer only to electronic document for the latest information.

